

BILL OF MATERIAL - KIT

Accessory: <u>Performance Air Intake</u>			Vehicle: <u>Scion FR-S</u>			Model: <u>All</u>		Year: <u>2013</u>	
Part No.: <u>PTR03-18130</u>			Supplier: <u>K&N Engineering Inc</u>			Product wt.: <u>1800 ± 180 grms</u>			
Part Color	Exterior Color Code	Suffix	Part Color	Exterior Color Code	Suffix	Part Color	Exterior Color Code	Suffix	
N/A									

Item #	Level	Qty:	Description	Supplier P/N	Toyota P/N
1	1	1	PERFORMANCE AIR INTAKE	PTR03-18130	PTR03-18130
2	2	1	TRD AIR BOX LOWER	PTR03-18130-AC	PTR03-18130-AC
3	2	1	TRD AIR BOX UPPER	PTR03-18130-AA	PTR03-18130-AA
4	2	1	FILTER	PTR03-18132	PTR03-18132
5	2	1	COUPLER KIT	PTR03-18130-AB	PTR03-18130-AB
6	3	1	COUPLER	5-1063	
7	3	2	HOSE CLAMP #44	9444	
8	2	1	CLIP & GROMMET KIT	PTR03-18130-AD	PTR03-18130-AD
9	3	4	AIR BOX CLIP	32-3066	
10	3	1	GROMMET	8513	
11	3	1	ZIP TIE	1-113	
12	3	1	CAP	8-104	
13	2	1	LITERATURE PACK	LPTR03-18130	
14	3	1	INSTRUCTIONS Rev D	10062D	

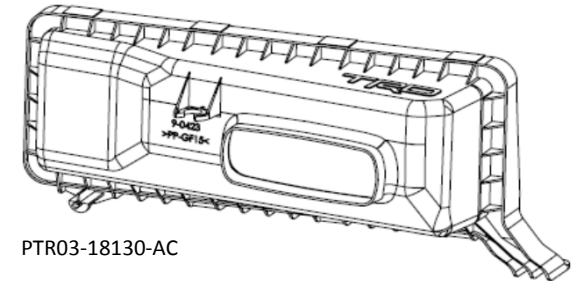
Format: (Subject, Adj, Location/ Adj)

Replacement Parts		
Toyota Replacement P/N	Description	Supplier P/N
PTR03-18130-AA	TRD AIR BOX UPPER	PTR03-18130-AA
PTR03-18130-AB	COUPLER KIT	PTR03-18130-AB
PTR03-18130-AC	TRD AIR BOX LOWER	PTR03-18130-AC
PTR03-18130-AD	CLIP & GROMMET KIT	PTR03-18130-AD
PTR03-18132	FILTER	PTR03-18132

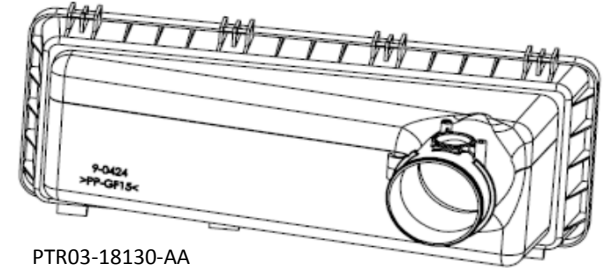
Revisions		
Date	Revision Description	ECR #
7/5/2012	Fixture and Tooling Updates to produce finished APA parts:	12-163

TMS Approval		TMS Engineer		Signature		Date
--------------	--	--------------	--	-----------	--	------

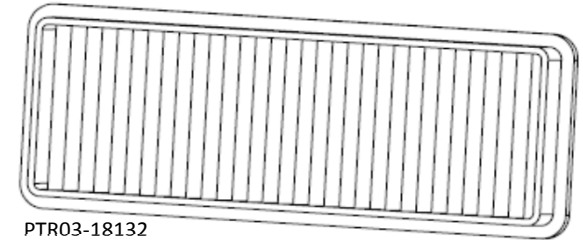
REPLACEMENT PARTS



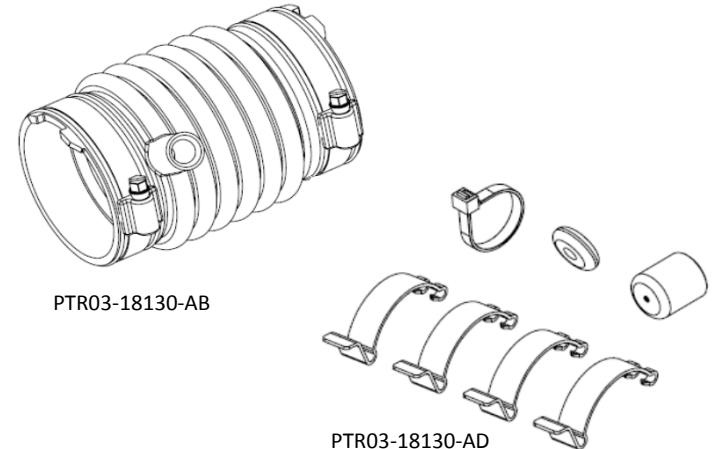
PTR03-18130-AC



PTR03-18130-AA



PTR03-18132



PTR03-18130-AB

PTR03-18130-AD